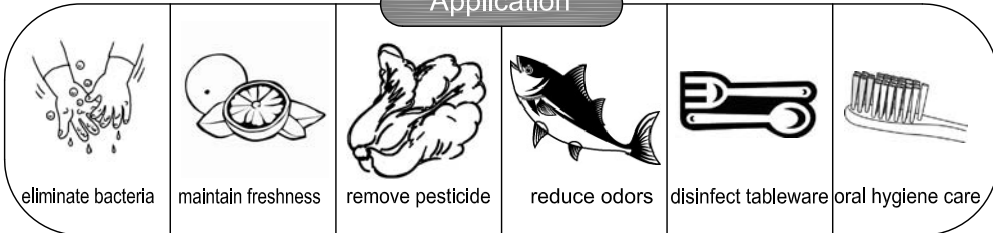


Thank you for purchasing the ozone faucet, ozone is a naturally produced substance from oxygen atoms and is combined with water to produce ozone water. Our patented technology and mixing of ozone water gives this product a unique place in the kitchen. Ozone is three-thousand times stronger than chlorine and can disinfect effectively in a few seconds, remove bacteria, pesticides, odors, keep fruit, vegetables and meat fresher and provide ozone water for cleaning all your kitchen surfaces.

Product features

- Considerate:** Large flow volume and limitless usage.
- Eco friendly:** Natural germicide, no chemical storage required.
- Safety:** Auto shut off when ozone generator is not in a vertical position.
- Convenience:** Ozone sterilization operates when turning on taps.
- Hi-Tech:** Exclusive water-air combination technology.
- Stylish:** Ozone generator is located under the sink or basin to ensure aesthetic looking of the tap.

Application



eliminate bacteria maintain freshness remove pesticide reduce odors disinfect tableware oral hygiene care

One-year limited Warranty: effective from date of purchase

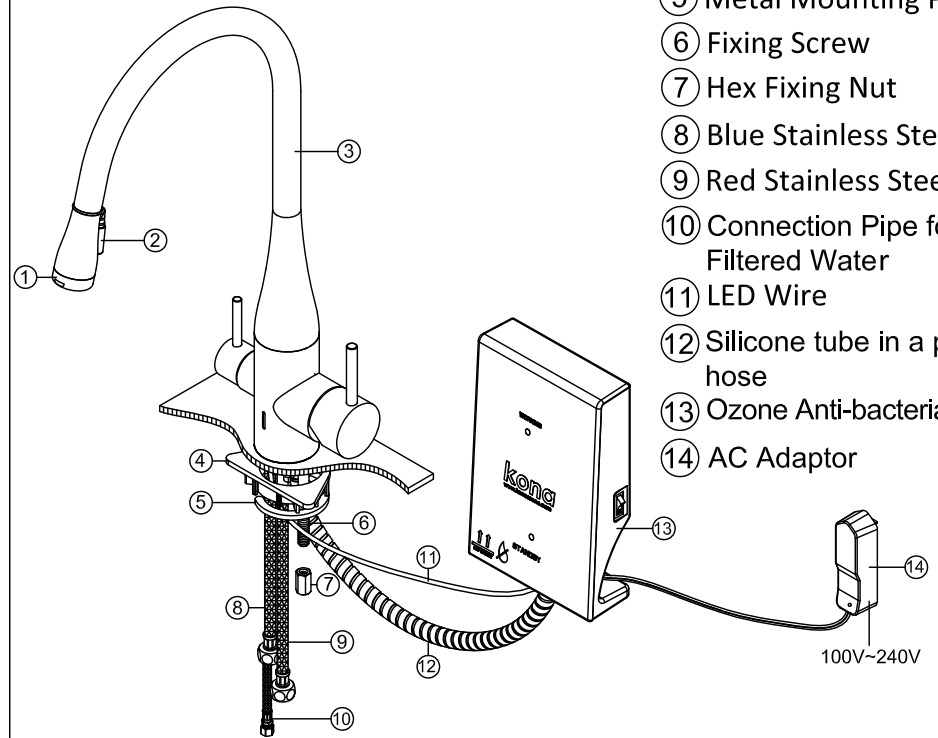


Warranty does not cover:

1. Damage caused by human error or incorrect installation.
2. Unauthorized disassembly or modification of ozone generator.
3. Damage caused by nature disasters.
4. Ozone generator immersed or soaked in water and leads to damaged internal circuit board.
5. Use of non genuine parts.

Tools	wrench	screwdriver
-------	--------	-------------

A Parts Description



- ① Aerator
- ② Drinking Water Spout
- ③ Tap Body
- ④ Plastic Mounting Plate
- ⑤ Metal Mounting Plate
- ⑥ Fixing Screw
- ⑦ Hex Fixing Nut
- ⑧ Blue Stainless Steel Hose
- ⑨ Red Stainless Steel Hose
- ⑩ Connection Pipe for Filtered Water
- ⑪ LED Wire
- ⑫ Silicone tube in a protective hose
- ⑬ Ozone Anti-bacterial Generator
- ⑭ AC Adaptor

Tap Specification

Ozone 4 Way Kitchen Tap with Filtered Water
O3-SKO-02-SN
Size: 215(L)x425(H)xØ40±2mm(I.D.)

Ozone 4 way Basin Tap with Filtered Water
O3-SKO-07-SN
Size: 160(L)x320(H)xØ40±2mm(I.D.)

Installation Conditions

Water pressure: 2.5kg/cm²~5kg/cm²
Water temperature: 4℃~80℃
Environment temperature: 5℃~50℃
Mounting hole dimension: Ø40±2mm

Ozone Generator Specification

kona. Green Faucet Ozone Generator

Model	OZ-1000
Input Voltage	DC 12V ⊖ ⊕
Power Consumption	6.0W(MAX)
Size(HxWxD)	186x125x42(mm)
Serial Number	see label on generator at backside

NOTICE: Warranty Will Be Invalid With Unauthorized Disassembly

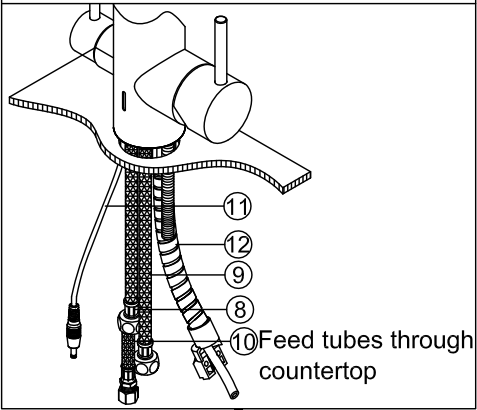
NO.29, Tou Lun Lane, Tou Lun LI, Lukang Town, Changhwa 505, TAIWAN

<http://www.konaозone.com>

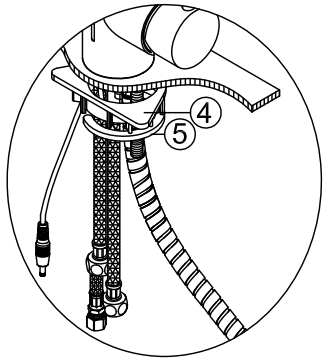
MADE IN TAIWAN

B Installation guide

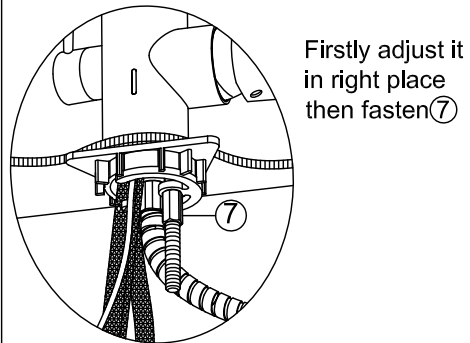
1. Install the tap



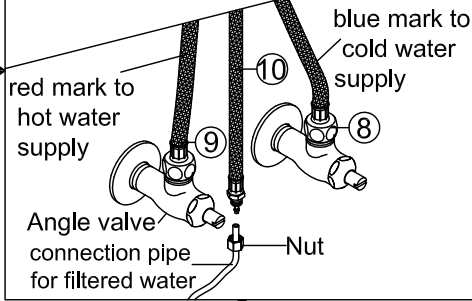
2. Fix mounting plates with hex nut



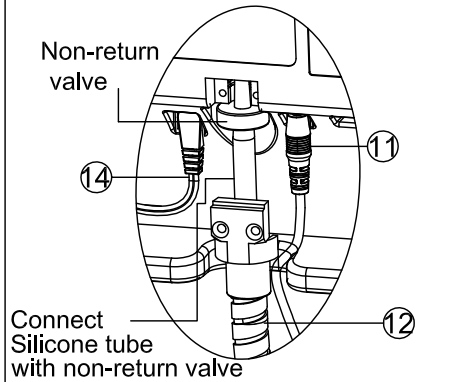
3. Fasten base plate



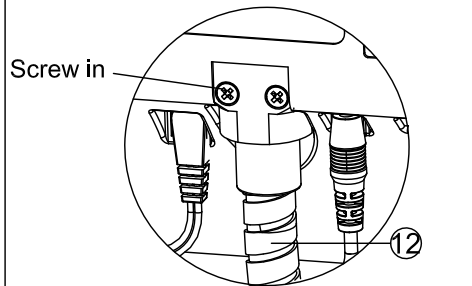
4. Connect SS hoses



5. Connect ozone silicone tube from tap to ozone generator

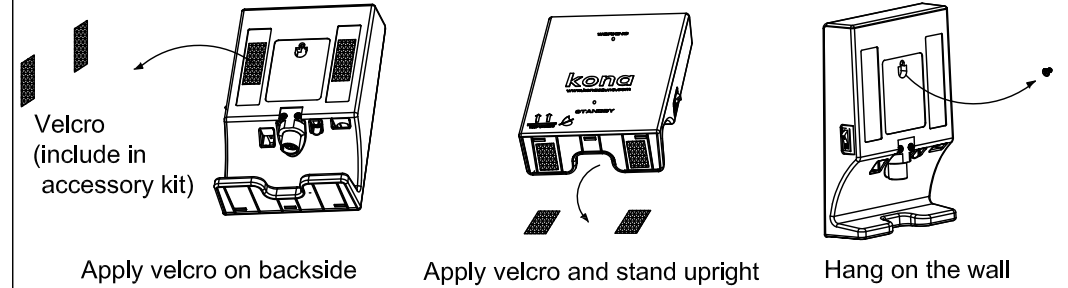


6. Fasten protective hose of Silicone tube



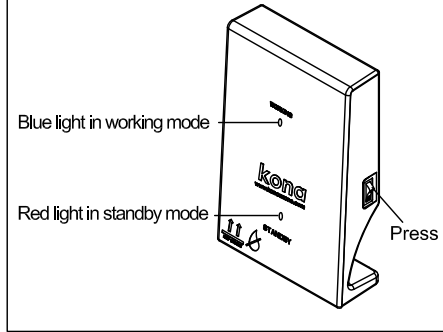
C Setting the ozone generator

Always keep the generator standing upright, as it will auto shut off when the unit is not in a vertical position. Keep it dry to avoid damaging internal circuit board.

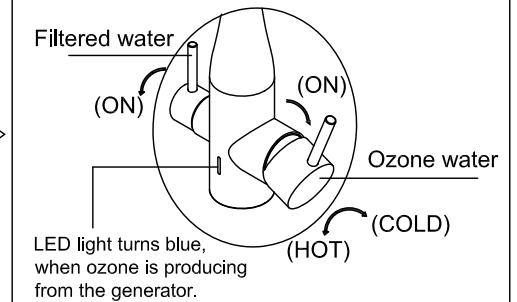


D Instruction for use

Power on Ozone Generator



Switch on Tap



E Frequently asked question

- | | |
|--|--|
| Q1: There is smell ? | A1: The ozone water will give off a fresh grass smell which will dissipate within a few minutes. |
| Q2: Why is the water flow reduced? | A2: This may be due to a blockage in the aerator or incoming water pipes. |
| Q3: Is ozone harmful to the human body? | A3: The ozone concentrate in air meets the FDA regulation for the USA. |
| Q4: Can we directly drink ozonized water? | A4: It's suggested to drink after boiling or leave it for 15 minutes. |
| Q5: What is the effectiveness of eliminating bacteria? | A5: Ozone water will remove 99% of most common bacteria ie Escherichia coli, Staphylococcus aureus and Legionella pneumophila. |